

MOBILETRON™

REGITAR USA™



The Complete
TPMS Solution

- Universal TPMS Sensors and Programming Tool
- Pre-programmed Direct-Fit TPMS Sensors
- Accessories
- Training

BUSINESS
OPPORTUNITIES

MORE
SENSOR

PROGRAMMING
TOOL

DIRECT-FIT
SENSORS

FITTING

PROGRAMMING

OPTIONS

FAQ



We are an automotive electronics manufacturer with a global network of offices. Our products are exported to over 100 countries. Designing and manufacturing OE and OES quality parts, supplying distributors, motor factors and manufacturers since 1982.

All of our TPMS sensors are manufactured to ISO, SAE and GB standards. As a global group our TPMS sensors are currently being supplied to the OE market in the Far East and are now available in the global aftermarket.

Our Direct Fit and Universal range are designed to replace the original sensors for the automotive aftermarket. All our sensors are available in 433 MHz and 315 MHz and cover over 95% of vehicle applications fitted with a TPMS system.

Your one-stop source for TPMS replacement parts!



Autocat v8



TPMS BUSINESS OPPORTUNITIES



Due to the new regulations there will be a natural requirement to maintain, repair and service TPMS sensors. The MORE Sensor range is designed to give businesses a competitive advantage.

Increased importance of specialised services

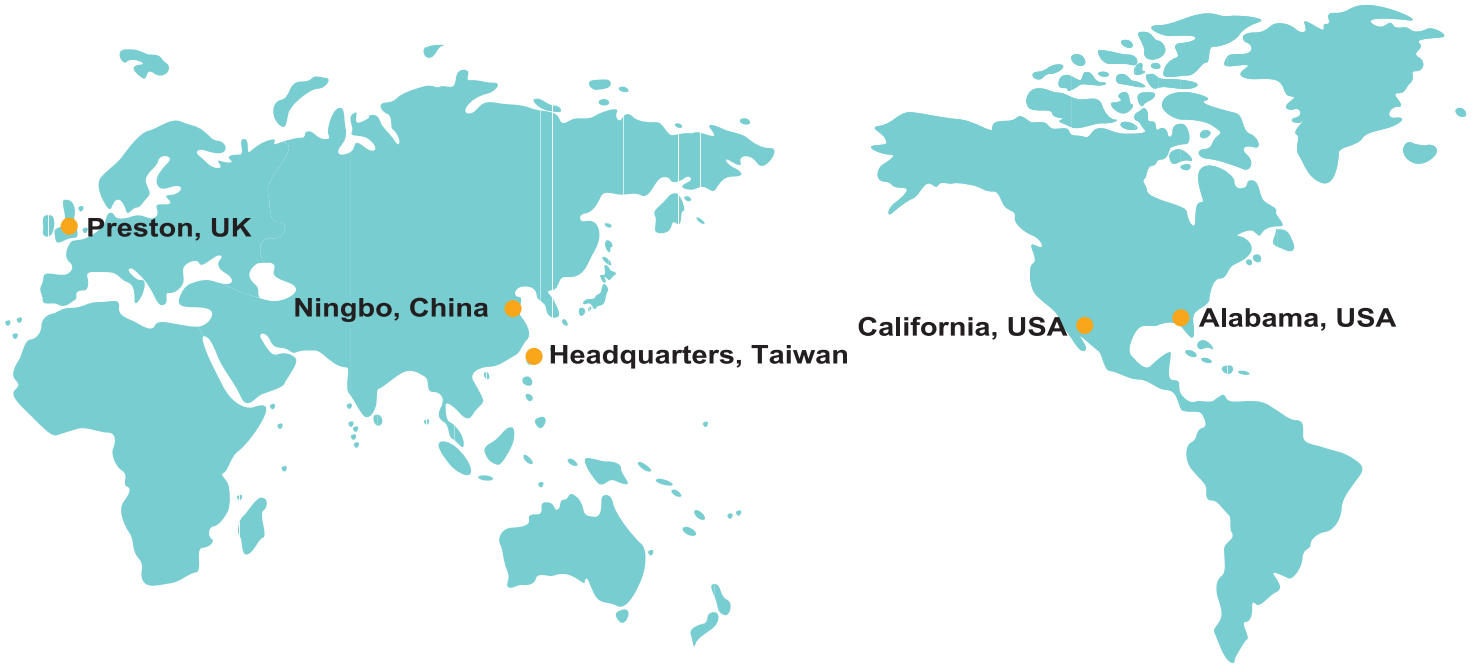
Additional income from the new services and spare parts

Quick installation times - same process as OE

Mobiletron TPMS sensors are a cost effective solution - wide coverage of vehicle applications

Reduced investment in stock holding

GLOBAL PRESENCE



Headquarters, Taiwan



Preston, UK



Alabama, USA



California, USA



Ningbo, China



Innovate to Win **MORE !**



MOBILETRON MORESENSOR



ALL IN ONE SOLUTION...

The MORE Sensor and Programming Tool are Mobiletron's Universal TPMS sensor solution.

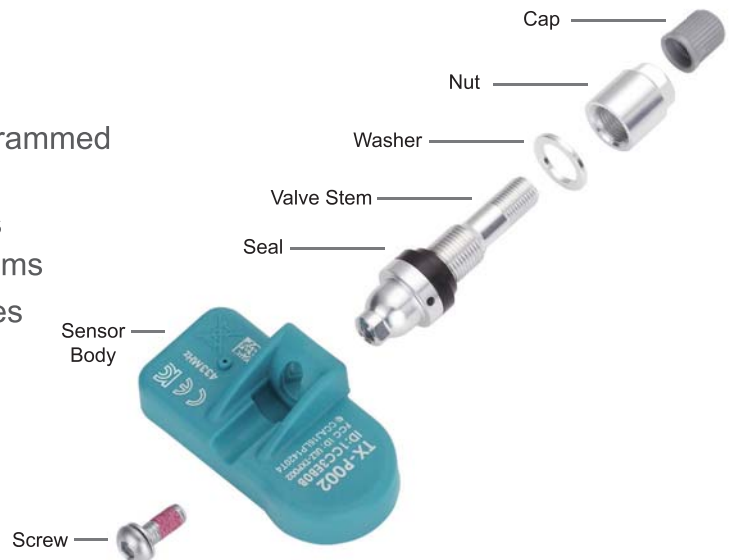
The blank MORE Sensors are infinitely programmable using our Programming Tool and are available in 433 MHz and 315 MHz with an option of Clamp-In and Snap-In valves. Two sensors can offer over 95% of vehicle application which reduces inventory for workshops and distributors.

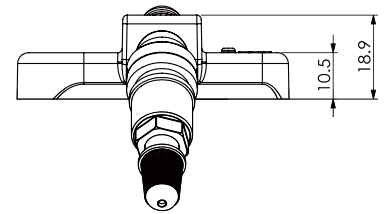
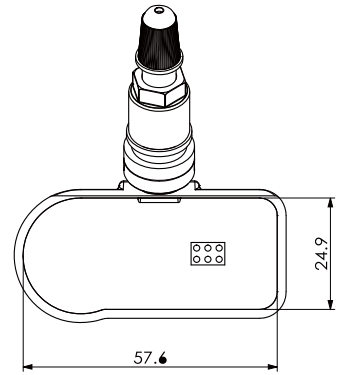
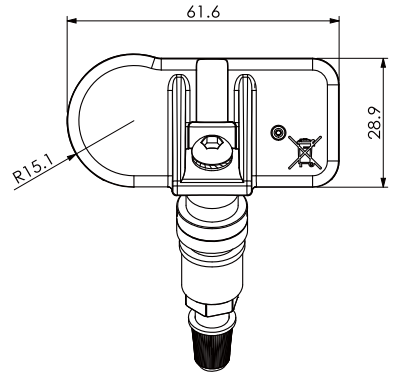
MORESENSOR Specifications

Frequency	433 / 315 MHz
Pressure Range	Max.116 PSI
Temperature Range	-40°C ~ 125°C
Operating Humidity	Max. 95%
Operating Temperature	-40°C~105°C (-40°F~221°F)
Storage Temperature	-40°C~125°C (-40°F~257°F)

PRODUCT FEATURES

- 2 sensors offer over 95% coverage
- Infinitely reprogrammable; sensors can be programmed multiple times
- Fully compatible with all major TPMS scan tools
- Compatible with vehicles with WAL TPMS systems
- Alternative option of Clamp-in and Snap-in valves
- Easy to fit, same process as OE
- ISO/SAE/GB compliant







MOBILETRON PROGRAMMING TOOL

ALL IN ONE SOLUTION...

Our Programming Tool is specially designed to program our MORE Universal TPMS Sensors. The tool has over 95% of vehicle applications stored and will program the sensors in less than 10 seconds.

It includes various features including a multi-lingual mode and clone function. The rubber casing has been specially designed to be robust enough for the workshop and is supplied in its own molded plastic carry case.

PRODUCT FEATURES

- Specifically designed to program the Mobiletron MORE Universal Sensor
- Programs MORE Sensors in less than 10 seconds
- Clone function provides the ability to clone an existing TPMS sensor ID, removing the need to perform the ECU relearn
- Covers over 95% of vehicle applications stored
- Free software updates
- Multi-lingual options: 10 European languages
- Backlit LCD display
- Robust and hard wearing rubberised casing

Programming Tool Technical Specifications

Power Supply	Built-in Lithium Battery
Charging Voltage	5V DC
Charging Current	Max. 1A
Charging Time	2.5 Hours
Operating Current	Max. 90mA
Display	128x64 Dot LCD Panel
Operating Temperature	-10°C ~ 35°C (Charging)
	-10°C ~ 55°C (Battery)
Storage Temperature	-20°C ~ 85°C
Dimensions	228(L)x105.5(W)x48.6(H) mm
Weight	485 g



Power On/Off

Micro-USB Port for battery charging



USB Port only for software updates





MOBILETRON DIRECT-FIT SENSORS

Our Direct-Fit Sensors accurately communicate the tire's pressure in real time to the vehicle's ECU, this allows the TPM system to alert the driver of a low pressure or sudden deflation of the tire.

The sensors are pre-programmed and ready to fit. They are available in 433 MHz and 315 MHz and cover over 95% vehicle applications.

PRODUCT FEATURES

- Direct-Fit OE Replacement
- 95% vehicle application coverage
- No specialist training required
- Pre-programmed to reduce installation times
- Easy to fit - same process as OE
- Compatible with all major TPMS scanning tools
- ISO, SAE, GB compliant



Direct-Fit Specifications

Frequency	433 / 315 MHz
Pressure Range	Max. 116PSI
Temperature Range	-40°C ~ 125°C
Operating Humidity	Max. 95%
Operating Temperature	-40°C~105°C (-40°F~221°F)
Storage Temperature	-40°C~125°C (-40°F~257°F)



Fitting our universal MORE Sensor is exactly the same as fitting our Direct-Fit Sensor. Please scan the QR code to watch our fitting video.

TRAINING: HOW TO FIT TPMS SENSORS

Our Universal and Direct-Fit Sensors are fitted in exactly the same way. They are easy to fit and follow exactly the same process as OE. Follow the 6 simple steps:



1

Release air from the tire by removing the valve. Place the wheel on the tire changing machine and break both beads. Ensure the sensor is on the opposite side of the breaking bead.



2

Place the wheel on the turntable and demount the tire. The sensor can then be removed.



3

Once sensor is removed clear stem hole of any dirt. Remove washer, nut and cap from the new sensor. Install new sensor through the rim hole. Insert the stem then place washer, followed by the nut, back on the valve. Tighten the nut to 4Nm.



4

Locate the sensor body on to the other end of the valve stem. Hand-tighten to secure and then tighten the connecting screw to 2.2Nm.



5

Reinstall the tire, making sure no contact is made with the new sensor to prevent damage. The tire, complete with TPMS sensor, is now ready for inflation to the correct PSI level.



6

Finally, follow the manufacturer's standard re-learn procedure. **(check vehicle handbook)**

TRAINING: HOW TO PROGRAM MOBILETRON'S **MORE**SENSOR

The MORE Sensor and Programming Tool are simple and easy to use, the sensors can be programmed in 10 easy steps, reducing installation times:



1

Place sensor in the Programming Tool



2

Turn on the Programming Tool



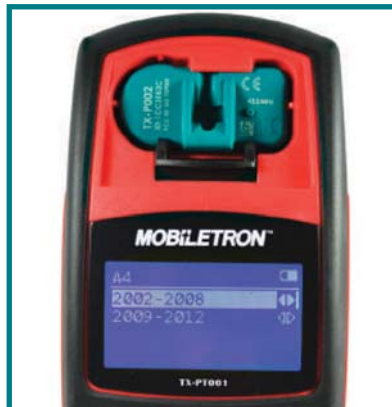
3

Main Menu -
Select Vehicle



4

Select Make and Model



5

Select Year



6

Select Frequency
and Part Number

MORESENSOR



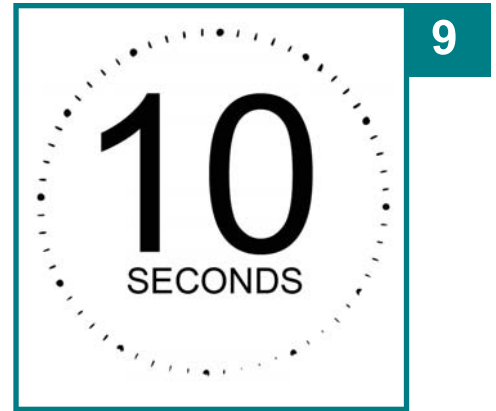
7

Sensor I.D -
Create new I.D



8

Sensor Program
Press 'P' to start



9

Programming complete in
less than 10 seconds



10

Programming successful



Your sensor is ready to fit!



Scan the QR code to watch the video
on how to program our MORE Sensors
using the Programming Tool.

OPTIONS

We have developed our products to ensure maximum flexibility. The full range includes TPMS Sensors, Programming Tool, Replacement Valves and Accessories.

Please see the options:

MORE SENSORS



Part No.	TX-P001
Frequency	315 MHz
Dimensions(mm)	79.5(L) x 61.7(W) x 19.2(H)
Weight (Valve Included)	46 g
Adjustment Angle	0-40 degrees



Part No.	TX-P002
Frequency	433 MHz
Dimensions(mm)	79.5(L) x 61.7(W) x 19.2(H)
Weight (Valve Included)	46 g
Adjustment Angle	0-40 degrees



Part No.	TX-P003
Frequency	315 MHz
Dimensions(mm)	80.7(L) x 55.3(W) x 26.2(H)
Weight (Valve Included)	38g
Adjustment Angle	17 degrees



Part No.	TX-P004
Frequency	433 MHz
Dimensions(mm)	80.7(L) x 55.3(W) x 26.2(H)
Weight (Valve Included)	38g
Adjustment Angle	17 degrees



CLAMP-IN

Part No.	41210030
Application	Universal Sensor
Valve Length	51.2 mm
Nut Torque	36 in-lb (4 Nm)
Screw Torque	20 in-lb (2.2 Nm)



SNAP-IN

Part No.	41210031
Application	Universal Sensor
Valve Length	55.5 mm
Screw Torque	3.9 in-lb (0.44 Nm)



Part No.	TX-S...Please contact us
Frequency	433 MHz
Dimensions(mm)	88(L) x 61.8(W) x 20.7(H)
Weight (Valve Included)	46 g
Adjustment Angle	0-40 degrees



Part No.	TX-S...Please contact us
Frequency	315 MHz
Dimensions(mm)	88(L) x 61.8(W) x 20.7(H)
Weight (Valve Included)	46 g
Adjustment Angle	0-40 degrees



CLAMP-IN

Part No.	20710376
Application	Direct Fit
Valve Length	48 mm
Nut Torque	36 in-lb (4 Nm)
Screw Torque	20 in-lb (2.2 Nm)

For more information please contact our sales team by email or phone:

robin@more.com.tw +886 4 25607389

Visit our website: www.mobiletron.com

PROGRAMMING TOOL



Part No.	TX-PT001(w/o Sensor)
Includes	<ul style="list-style-type: none">- Programming Tool- USB Cable- Power Adapter- User Manual- Blow Molded- Plastic Case- Shap-in Adapter



Part No.	TX-PT001(w/ Sensor)
Includes	<ul style="list-style-type: none">- Programming Tool- USB Cable- Power Adapter- User Manual- Blow Molded- Plastic Case- Shap-in Adapter- TPMS Sensors x 4 pcs- Valve Stems Kit

ACCESSORIES

ATEQ ADAPTER (TX-AD001)



You can now program Mobiletron's MORE Sensors with ATEQ's Diagnostic Tools!

The ATEQ Adapter is one of Mobiletron's newest development and it allows users who have the main diagnostic tool manufactured by ATEQ to program Mobiletron's MORE sensors.

For more information please contact us.

SNAP-IN ADAPTER (TX-PT001A)



The Snap-In adapter provides the ability to program Mobiletron's Snap-In sensors using our existing programming tool. The adapter can also program Mobiletron's Clamp-In sensors and enables the user to program our TPMS sensor without the need to remove the valve from the sensor."

This new universal feature makes the functions of programming and fitting the sensors much more efficient.

To find out more please contact us.

PROGRAMMING TOOL

FAQ

Q: Is the Mobiletron Programming Tool multilingual?

A: The Programming Tool includes 10 European languages (English, German, French, Spanish, Italian, Portuguese, Polish, Romanian, Russian and Dutch)

Q: Are software updates free of charge?

A: Yes, software updates will be available free of charge for the life of the tool.

Q: How will software updates be downloaded and how will they be installed?

A: Quarterly updates will be made available through our website (www.mobiletron.com). Download the software onto a USB device and insert it into the USB port on the Programming Tool. To complete the installation use the “USB Update” function from the “Main Menu” of the tool.

Q: Is the Mobiletron Programming Tool compatible with other brands of sensor?

A: Our Programming Tool has been designed specifically to work with Mobiletron’s MORE Sensors.

Q: Is the Programming Tool serviceable i.e. Can it be repaired?

A: Yes, if the tool is within warranty it can be repaired free of charge however if the tool is out of warranty there will be a repair charge.

Q: Can accessories be purchased separately, such as the USB cable and charger adapter?

A: Yes, accessories can be purchased separately and will have their own part numbers.



For more information please contact us by email: robin@more.com.tw or by phone +886 4 25607389

SENSORS

FAQ

Q: Can the ATEQ and Snap-In adapters work with both Clamp-In and Snap-In TPMS sensors?

A: Yes, our ATEQ and Snap-In adapters are designed to work with both Clamp-In and Snap-In sensor types. Both adapters will also allow you to program the sensors with and without the valve installed to the sensor.

Q: Are Mobiletron TPMS sensors compatible with the industry's main TPMS scan tools?

A: Yes, Mobiletron's TPMS sensors are designed to communicate with all of the main TPMS scan tools.

Q: Can MORE Sensors be programmed by other TPMS scan tools?

A: Mobiletron's MORE Sensors can now be programmed with ATEQ's Diagnostic Tools! The ATEQ Adapter allows users who have the main diagnostic tool manufactured by ATEQ to program Mobiletron's MORE sensors.

Q: Are Mobiletron TPMS Sensors compatible with vehicles with Wireless Auto Location (WAL) TPMS systems?

A: Yes, Mobiletron's MORE Sensors and Direct-Fit Sensors are compatible with vehicles with a WAL TPMS system.

Q: How are Mobiletron's TPMS sensors programmed?

A: Mobiletron's MORE Sensors are infinitely reprogrammable using the Programming Tool and our Direct-Fit Sensors are pre-programmed - ready to fit!

Q: Are Direct Replacement TPMS sensors easy to fit?

A: There is no specialist training required. The fitting process is the same as OE. Fitting instructions are on the 'How To Fit TPMS Sensors' page and on the same page there is a QR code which will take you to a more in-depth video.

Q: Will clamp-in and snap-in valves be supplied separately?

A: Both metal clamp-in and rubber snap-in valves can be supplied separately. **See 'Options' page.**

Q: How long is the battery life?

A: The typical battery life of our TPMS sensors is more than 5 years.



NOTE





■ **TAIWAN**

Mobiletron Electronics Co., Ltd.

No. 85, Sec.4, Chung-Ching Rd.
Ta-Ya District, Taichung City, 428,
Taiwan

Tel: +886-4-25607389

E-mail: mobiletron@more.com.tw

■ **U.S.A.**

Regitar U.S.A. Inc.

2575 Container Drive,
Montgomery AL 36109 U.S.A.

Tel: +1-334-244-1885

E-mail: info@regitar.com

■ **EUROPE**

Mobiletron UK Ltd.

Unit 80 Roman Way, Roman Way Ind Est.,
Longridge Road Preston, Lancashire, PR2 5BE
United Kingdom

Tel: +44-177-2693780

E-mail: info@mobiletron.co.uk

■ **U.S.A.**

Durofix Inc.

9168 Pittsburgh Ave.
Rancho Cucamonga, CA 91730

Tel: +1-909-980-3323

E-mail: info@durofix.com

M10509

CONTACT YOUR NEAREST STOCKIST